

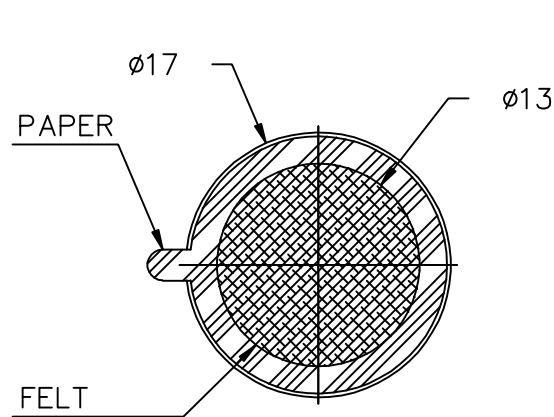
THIS DOCUMENT CONTAINS DATA PROPRIETARY TO PROJECTS UNLIMITED, INC. ANY USE OR REPRODUCTION, IN ANY FORM, WITHOUT PRIOR WRITTEN PERMISSION OF PROJECTS UNLIMITED, INC. IS PROHIBITED.  
©2005, Projects Unlimited Inc.

### SPECIFICATIONS

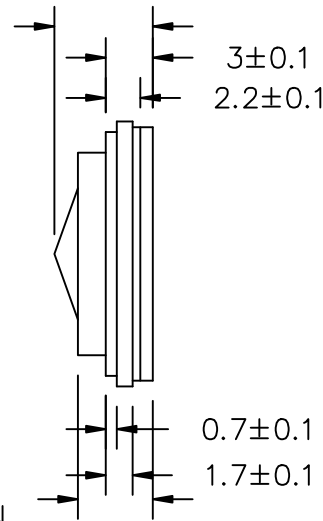
PARAMETERS	VALUES	UNITS
RATED INPUT POWER	0.3	W
MAX INPUT POWER	0.5	W
IMPEDANCE	8±15	OHM
OUTPUT SPL @ 0.1W/0.1M (AT 0.8, 1.0, 1.2, 1.5 kHz)	88±3	dB
DISTORTION (MAX.)	5%	-
RESONANT FREQUENCY	750±20%	Hz
FREQUENCY RANGE	750 ~ 5000	Hz
HOUSING MATERIAL	METAL	-
CONE MATERIAL	MYLAR	-
MAGNET MATERIAL	Nd-Fe-B	-
OPERATING TEMPERATURE	-20 ~ +50	°C
WEIGHT	1.6	grams

### REVISIONS

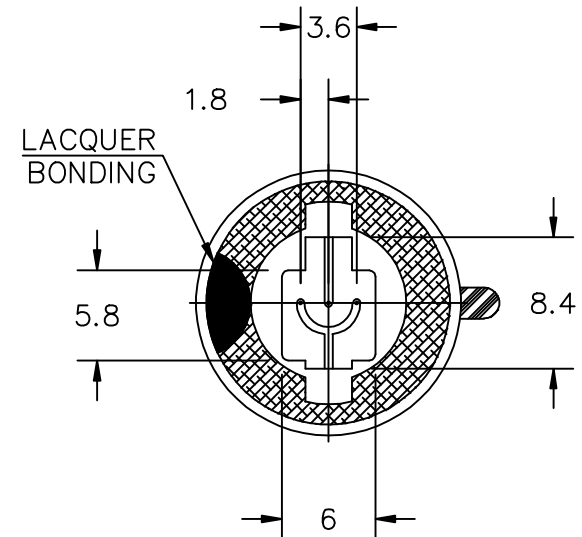
LTR	DESCRIPTION	DATE	APPROVED
-	RELEASED FROM ENGINEERING	7/8/06	
A	ADDED OUTSIDE DIAMETER	3/16/07	R.W.



6.3±0.2  
FREE POSITION



4.8±0.2  
WORKING POSITION



#### NOTES:

1. ALL DIMENSIONS ARE IN MILLIMETERS.
2. SPECIFICATION SUBJECT TO CHANGE OR WITHDRAWAL WITHOUT NOTICE.
3. THIS PART IS RoHS 2002/95/EC COMPLIANT.

UNLESS OTHERWISE SPECIFIED:  
DIMENSIONS ARE IN MILLIMETERS, TOLERANCES ARE ±0.5 AND ANGLES ARE ±3°.



Dayton, Ohio

### SPEAKER

APPROVALS	DATE
DRAWN <i>J.D.</i>	5/06
CHECKED <i>E.P.</i>	5/06
APPROVED <i>B.R.</i>	5/06

SIZE  
A

DRAWING NO.  
AS01708MR-SC-R

FILE NAME  
AS01708MR-SC-R.DWG

DO NOT SCALE DRAWING

SCALE: N.T.S.

SHEET 1 OF 1